



陕西声科电子科技有限公司
SHAANXI SHENGKE ELECTRONIC TECHNOLOGY CO.,LTD

Mobile: 18729098936
E-mail: sales@skgauge.com

FAX: 029-88858601
<https://www.skgauge.com>

SK-R800N 80GHz Radar Level Transmitter

The SK-R800N is an 80GHz FMCW radar level transmitter for continuous level measurement of Liquid, solids and open water application.

- * High frequency: 80GHz, More Focus.
- * Accuracy: ± 2 mm
- * PTFE sealed antenna, not affected by temperature, condensate water.
- * Small emitting angle: $\pm 3^\circ$.
- * G'' thread connection, customized thread/flange.



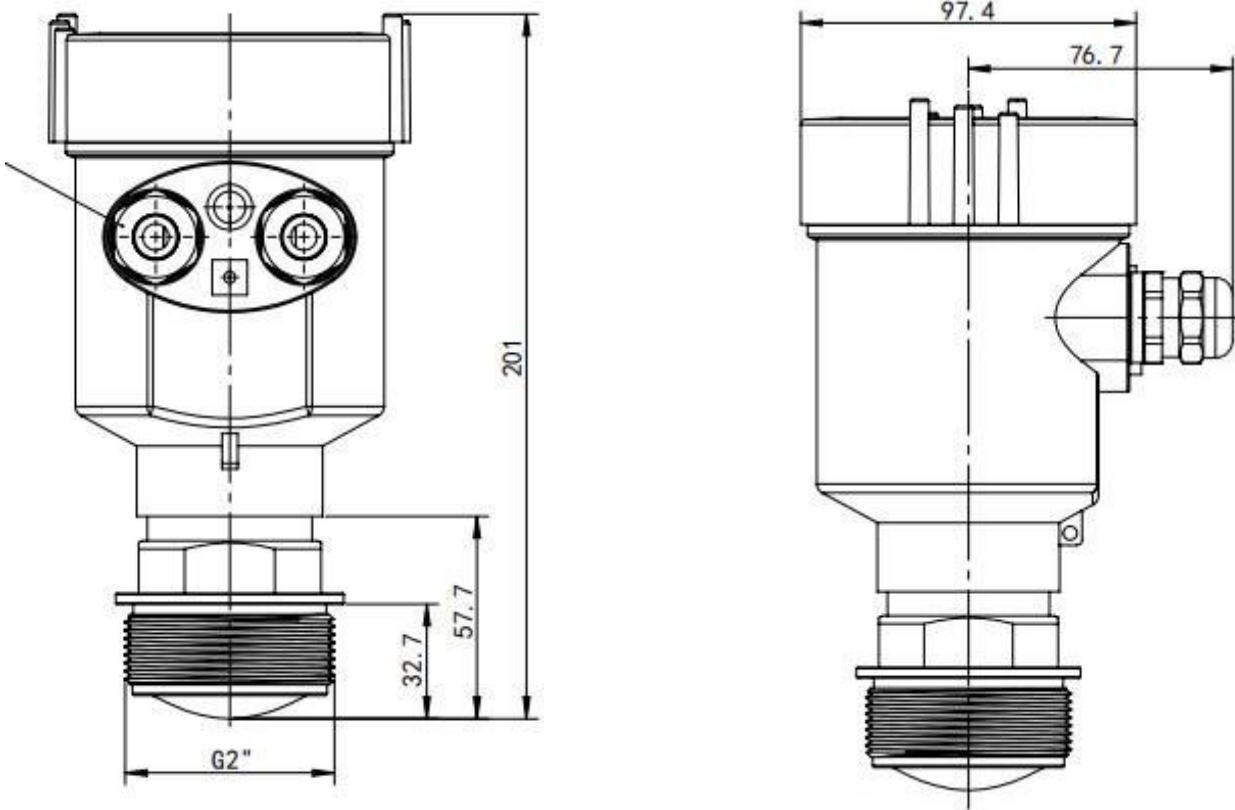


陕西声科电子科技有限公司
SHAANXI SHENGKE ELECTRONIC TECHNOLOGY CO.,LTD

Mobile: 18729098936
E-mail: sales@skgauge.com

FAX: 029-88858601
<https://www.skgauge.com>

Sizes:





陕西声科电子科技有限公司
SHAANXI SHENGKE ELECTRONIC TECHNOLOGY CO.,LTD

Mobile: 18729098936
E-mail: sales@skgauge.com

FAX: 029-88858601
<https://www.skgauge.com>

Specification

Model	SK-R800N
Product Type	FMCW Radar Level Transmitter
Application	*Liquid Measurement (exp: water, up to 30m) *Standard liquid measurement (exp: Corrosive chemical) *Bulk solids
Frequency	77GHz-81GHz
Measurement Range	10M 20M 30M 50M
Accuracy	±2mm
Beam Angle	±3°
Antenna Material	SS 304/Sealed PTFE
Process Connection	Default G2 Thread; Thread and flange is customized
Process Temperature	-20°C to 80°C
Process Pressure	Normal atmospheric pressure
Signal output	4-20mA/RS485(Mod-bus - RTU)/Hart
Power	Two-wire DC 24V (22V~30V)
Protection	IP67
Explosion-proof	Exd II CT6Gb
Sizes:	96mmx200mm weight: 2kg.

SK-R800N Model Selection

SK-R800 80GHz Radar Level Sensor (Aluminum housing, with LCD display)

Code	Medium Type							
N/S	Liquid/Solids							
Code	Measuring Range(m)							
0.2~30	10	20	30 50					
Code	Connection							
<i>G</i>	G" Thread (G2)							
F	Flange							
Code	Temperature							
N	-20-80°C							
Code	Cable entry							
M/N	M20×1.5(F)/1/2NPT							
Code	Electronics							
T	Two-wire 4...20mA							
M	Mod-bus							
<i>H</i>	HART							
Code	Protection							
P	IP67							
Code	Explosion-proof							
E	Ex db ia IIC T6 Gb							
SK-R800	N	10	G	N	M	TMH	P	E